

European advanced servo-drive technology, the new generation of high efficiency, energy-saving, environmental protection CNC servo turret punch. Probably the best price/quality ratio in the world!

DINAMICA - DINAMICA LASER



DERATECH

Company
Introduction

PROBABLY THE BEST PRICE/QUALITY
RATIO IN THE WORLD!





DERATECH GROUP

Deratech is specialized in designing and manufacturing sheet metal working machines. The Deratech headquarters for research, design and assembly are based in Belgium. Subsidiaries all over the world (Australia, China, Germany, Netherlands, Thailand, India,...) and carefully selected partners provide a world class advice, sales installation and service.

Shanghai Deratech CNC Machine Tool Co. Ltd, is the new production & technology center of Deratech - Belgium in China. The advanced European design, quality and technology of our R&D center in Belgium together the experienced engineering team of Shanghai Deratech will result in high quality production of sheet metal working machinery. All processing is designed in 3D by our technical department to obtain a high precision on all the manufactured machine parts.

Deratech is your partner in sheet metal working machinery.

THE NEW GENERATION OF HIGH
EFFICIENCY SERVO-DRIVE TURRET
PUNCHING TECHNOLOGY,
ENERGY EFFICIENCY, VERSATILITY
AND ACCURACY AND LOW
MAINTENANCE COST.



DINAMICA

DINAMICA / DS

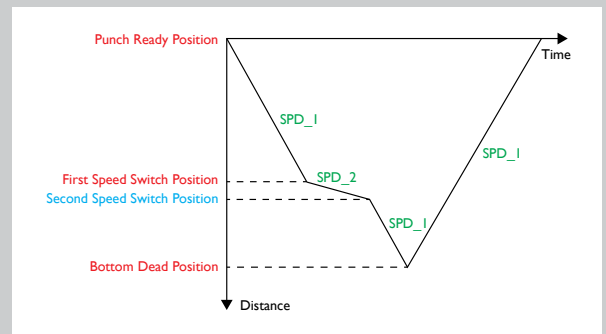
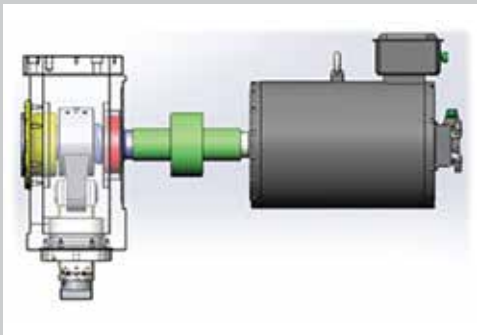


PRODUCT FEATURES

1

The servo-mechanically driven punching stroke is CNC-controlled, resulting in an unmatched high-performance punching, energy saving, superior reliability, outstandingly accurate forming capacity.

Saving up to 60% of electrical power over typical hydraulic machines.



The servo-electrical punch ram allows programming of the punch operation according to the exact requirements:

- Soft punching with noise reduction
- High-speed nibbling and marking
- Accurate forming and wheel forming



2

The Heavy Duty "O" type frame is engineered to ensure tighter tolerances, distortion free parts and perfect tool alignment. Complete annealing of the frame after welding to eliminate internal stress. The frame is built to last a life time...



3

TURRET

Thick turret tooling system provides high flexibility with superior guiding, extended tool life and a minimum tool maintenance. A maximum feed clearance between the upper and lower turret allows for the production of higher forms such as lances, louvers, emboss,...

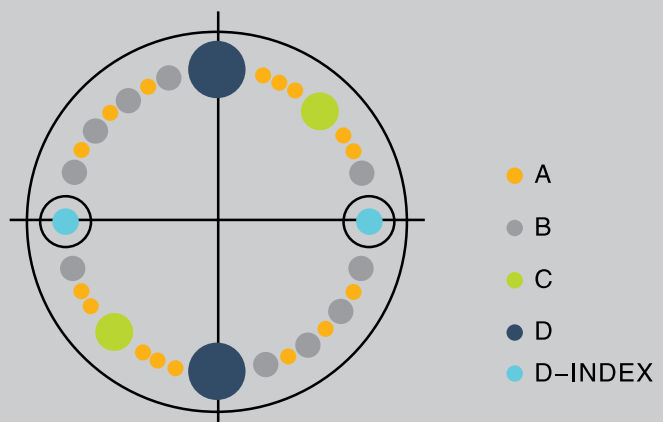


4

The versatile mix of turret stations includes a High precision auto index, compact structure with gear drive. Available in D station.

LAYOUT OF TURRET WORKING POSITION

Station Item	32 Station	Dimension area
A	16	$\phi 2 \sim \phi 12.7\text{mm}$
B	12	$\phi 12.7 \sim \phi 31.75\text{mm}$
C	2	$\phi 31.75 \sim \phi 50.8\text{mm}$
D	2	$\phi 50.8 \sim \phi 88.9\text{mm}$
D-INDEX	2	$\phi 50.8 \sim \phi 88.9\text{mm}$



PRODUCT FEATURES



5

TURRET DRIVE

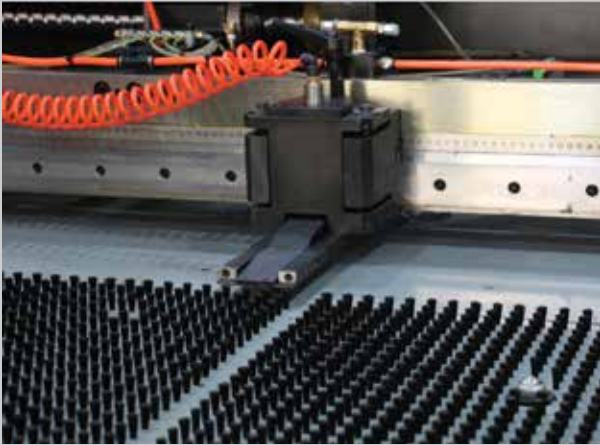
High precision compact drive system integrated in the machine frame.



6

BRUSH WORKING TABLE

Large brush table design provides low noise during the punching operation, scratch-free processing, eliminating secondary finishing.



7

FEED MECHANISM

A high technology positioning system provides heavy sheet carrying capacity and accurate motion control powered by a direct drive servo system for X,Y axis, with high precision ball screw and linear guide (Japan). High speed movement for X and Y with high positioning accuracy.



8

CLAMPING

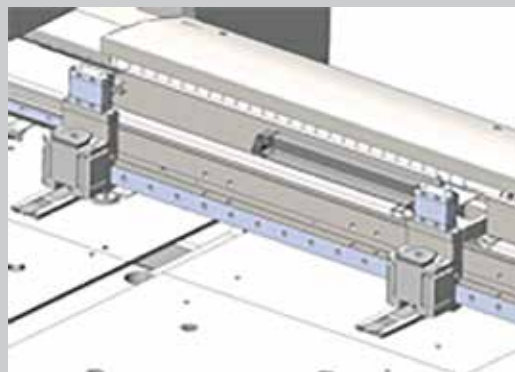
Movable pneumatic clamping.

OPTIONS



1

Vacuum suction of the punch scraps: effectively suck out the punch scraps from the dies.



2

Automatic clamps repositioning mechanism: allows the machine to automatically position the clamps on the carriage

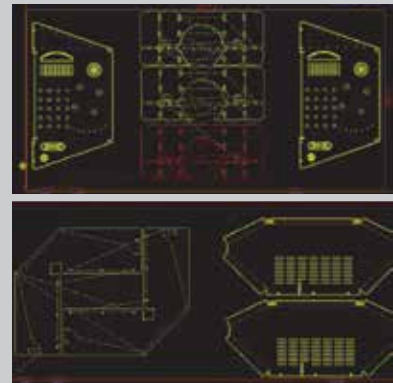


CNC SYSTEM

CONTROLSYSTEM

Free standing control system with integrated Siemens controller and a separate floor standing electric cabinet to reduce the effect of vibration during the operation of the machine.





World-class Siemens CNC system and servo system to ensure precision and stable machine operation.

Dinamica DS (2018)

Parameter Name	Unit	DAS2.1550	DAS3.1550	DAS2.2050	DAS3.2050
Press capacity	kN	200	300	200	300
The largest processing sheet size	mm	1500x5000	1500x5000	2000x5000	2000x5000
The Largest thickness	mm	6	6	6	6
Maximum hole (one-time punching)	mm	Ø88.9	Ø88.9	Ø88.9	Ø88.9
Position number		32(2AI)	32(2AI)	32(2AI)	32(2AI)
Maximum moving speed	mm/min	100 (X:80;Y:60)	100 (X:80;Y:60)	100 (X:80;Y:60)	100 (X:80;Y:60)
Turret speed	rpm	30	30	30	30
The punching frequency	hpm	1050	1050	1050	1050
The punching frequency (1mm pace, 4mm punching stroke)	hpm	700	700	700	700
The punching frequency (25mm pace, 4mm punching stroke)	hpm	350	350	350	350
Number of control axis		5	5	5	5
CNC system		Siemens	Siemens	Siemens	Siemens
Punching precision	mm	±0.10	±0.10	±0.10	±0.10
Pressure of gas	mpa	0,6	0,6	0,6	0,6
Dimensions	mm	5300×5210×2330	5300×5210×2330	6300×5210×2330	6300×5210×2330
Weight	kg	17000	17500	22500	23000

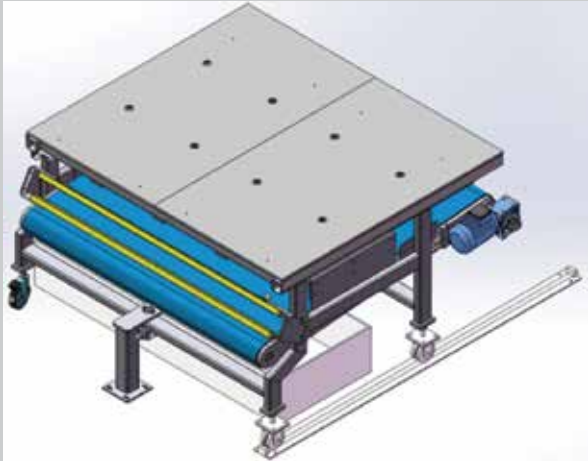
If you need more product specification please contact with us.

DINAMICA PUNCH-LASER
COMBINES PUNCHING AND
LASER TECHNOLOGY



DINAMICA PUNCH-LASER



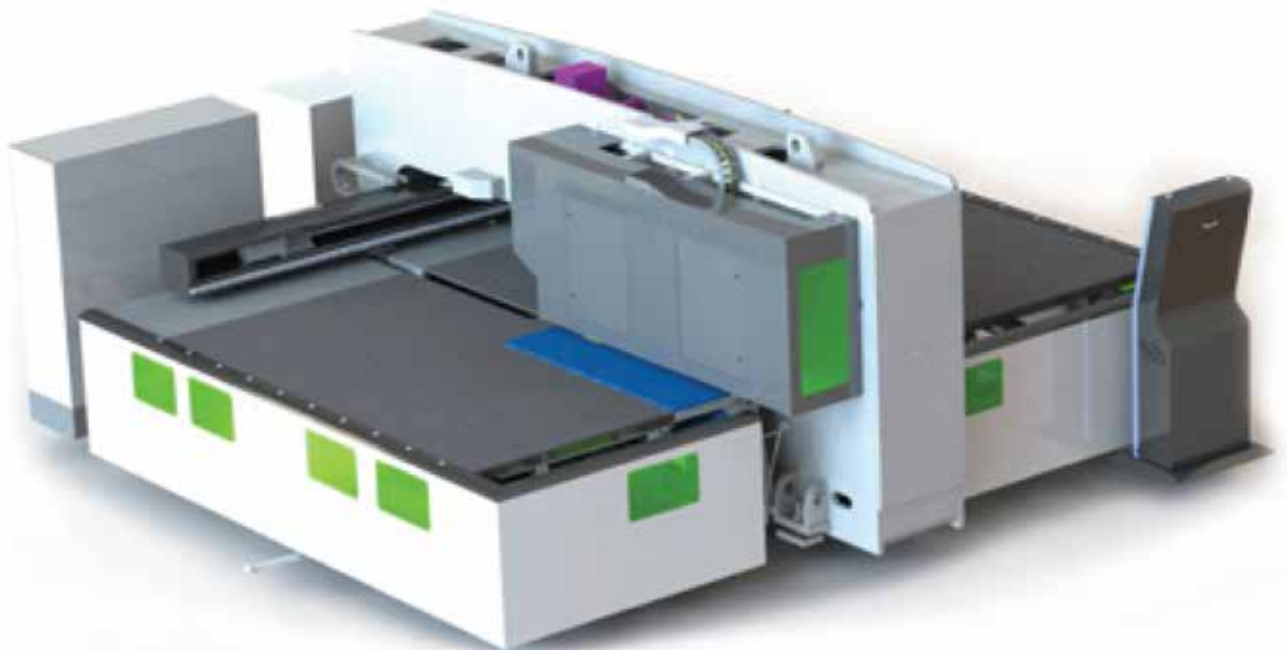
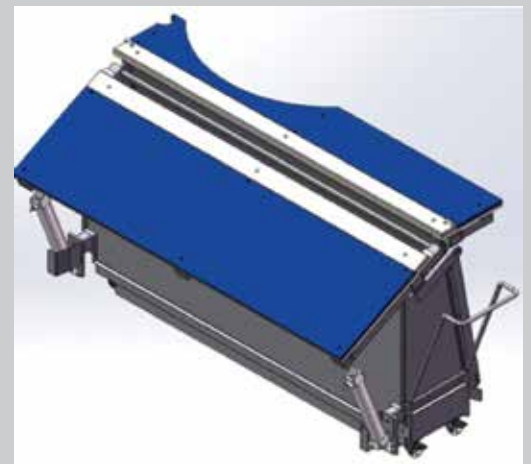


PROGRAMMABLE SORTING CONVEYOR

The programmable sorting conveyor is able to separate sorted parts from the big scraps. Scraps will be guided to a scrap box, finished parts will slide from the drop door and will then be transferred by the conveyor to a parts box. A light curtain is used to detect that the parts that need to be unloaded are effectively fully out of the unloading chute.

PART SORTING DROP DOOR

An automatic part sorting drop door of 500mm wide and 1500mm long is integrated in the laser cutting system. Laser cut parts smaller than the drop door can therefore automatically be removed from the sheet.



DINAMICA PUNCH-LASER

DYNAMIC LASER CUTTING AXIS

Precitec Cutting Head is installed on our state of the art Combi-machine. During laser cutting, the Y-axis movement of the carriage is replaced by the laser V-axis, which is much lighter, has a higher stiffness and allows a more dynamic and accurate interpolation of any laser cutting contour:

- It offers unbeatable productivity when processing holes
- There is the additional flexibility of laser cutting any free-form contours
- Also forming operations are possible
- Automatic part sorting is integrated
- Fiber laser technology combined with servo-electric punching guarantees low electrical consumption and minimal operating costs

ITEM	SPECIFICATION
Max. punching force	300kN
Max. laser power	4000W
Max. sheet thickness	6.35mm
Max. punch diameter	88.9mm
Max. sheet size (with repositioning)	5000mm x 1500mm
Max. sheet size (without repositioning)	2500mm x 1500mm
Max. sheet size combined punch and laser operation (without repositioning)	1835mm x 1500mm
Max. number of punch tools	32
Max. number of auto-index stations	2
Max. positioning speed	100m/min
Max. turret rotation speed	30rpm
Max. punching speed	1500hpm
Punching accuracy (without repositioning)	+/-0.10mm
Laser cutting accuracy (without repositioning)	+/-0.05mm
Machine dimensions (L x W x H)	5500mm x 5300mm x 2330mm
Machine weight	17500kg

If you need more product specification please contact with us.



**Deratech Industries**

Molenweg 101
2830 Willebroek
Belgium
T: +32 (0)3 279 81 62
E: bjorn@deratechindustries.com
W: www.deratechgroup.com

**Deratech China**

N° 178, Sheng Jing Road, Technology
Industrial Park, Chengxiang town,
Taicang City, Jiangsu Province, P.R.C
T: +86 0512 80600988
E: info@deratech.cn
W: www.deratech.cn

**Deratech Australia**

5/35-41 Westpool Drive
Hallam - Victoria 3803
Australia
T: +613 9796 5260
E: sales@deratechgroup.com.au
W: www.deratech.com.au

**Presstechnik s.r.o.**

Žižkova 1089
39501 Pacov
Czech republic
T: +420 565 555 600
E: info@presstechnik.cz
W: www.deratechgroup.com

**Deratech Machines India Private Limited**

No.264/75, 36th Cross, 2nd Main,
8th Block, Jayanagar - Bengaluru -
560070 - Karnataka - India
T: +91 973 9499 499
E: sales@deratechindia.com
W: www.deratechindia.com

**Finnmak Machinery**

10156/17B Farnham Street
Parnell, Auckland 1052
New Zealand
M: 021309030
T: 09 889 8872
E: sales@finnmak.com
W: www.finnmak.com

**Deratech México**

Montecito 38, Piso 28, Ofic 12 y 13.
Colonia Nápoles.
Delegación Benito Juárez.
México, D.F. 03810.
T: +(55)5547 4963
E: ventas@deratech.mx
W: www.deratechgroup.com

**Elgisa - PT Elemen Gemilang Suryamasinka**

Blok G No. 08, JL. Peta Selatan,
Kalideres
Jakarta Barat 11840 - Indonesia
T: (021)22052042
F: (021)22052031
E: info@suryamasinka.com
W: www.suryamasinka.com

**Punch Tooling NZ LTD**

2 Donald Street
Kaikorai Valley
Dunedin 9011
New Zealand
T: 027 471 7003
E: punchtoolingnz@gmail.com
W: www.punchtooling.co.nz

**PMC Globaltech Corporation**

#5 Countryside Subdivision
Brgy. Barangka Ibaba - Mandaluyong City
Philippines 1550
T: +632-8-532-0330.
E: pmc.globaltech.corp@gmail.com
W: www.deratechgroup.com

**Autmex**

AL Krakowska 110/114
02-256 Warszawa
Poland
T: +48 22 290 61 01
E: biuro@autmex.eu
W: www.autmex.eu

**Deratech Thailand**

8/8 Moo 9 Bangchang Sampran
73110 Nakhonpathom
Thailand
T: +66 (0)34-30-0743
E: thailand@deratechgroup.com
W: www.deratechgroup.com

**Deratech UAE**

Easy Metal Forming LLC
Dubai
United Arab Emirates
T: +971.50.687.9282
E: fady@easymetal.ae
W: www.deratechgroup.com

